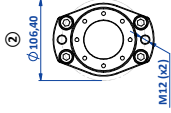
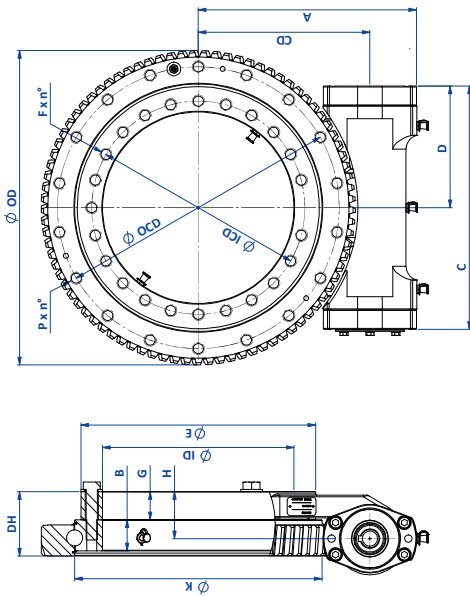
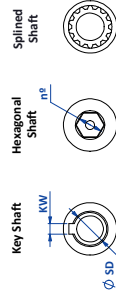


## FLANGE TYPES



## SHAFT TYPES



## DIMENSIONS

	TGO400-Z0	TGO435-Z0	TGO523-Z0	TGO639-Z0	TGO920-Z1
Ø OD	400.14	434.84	522.51	635.10	917.47
Ø ID	229	265	324	414	755
Ø OCD	358	390	480	584	868
P x n"	M16 x 18	M16 x 18	M16 x 20	M20 x 36	M12 x 20
Ø ICD	259	295	365	465	782
F x n"	M16 x (20-1)	M16 x (24-1)	M16 x 20	M20 x (36-1)	Ø13 mm x (20)
DH	89.50	89.10	103	106.50	72
CD	220	237.59	275.47	339.10	476.42
A	284.50	302.10	339.97	403.60	540.92
B	44	43	48	57	44
C	324.50	336.50	384.20	429	495
D	162.25	168.25	192.10	214.50	247.50
Ø E	290	324.50	420	533	830
G	38	39.10	47	41.50	20
H	65	65.10	66	69.50	50
Ø K	308	342.50	422	525	827

## FLANGES and SHAFTS

	TGO400-Z0	TGO435-Z0	TGO523-Z0	TGO639-Z0	TGO920-Z1
KW	8	8	8	8	8
Ø SD	0.31	0.31	0.31	0.31	0.31
Input	Flange Ø Key Shaft	Flange Ø Key Shaft	Flange Ø Key Shaft	Flange Ø Key Shaft	Flange Ø Key Shaft
Output	Hex. 24 mm Shaft	Flange Ø Flange Ø Hex. 24 mm Shaft	Flange Ø Key Shaft Flange Ø Hex. 24 mm Shaft	Flange Ø Key Shaft Flange Ø Hex. 24 mm Shaft	Flange Ø Key Shaft

## SIZES



TGO400-Z0



TGO435-Z0



TGO523-Z0

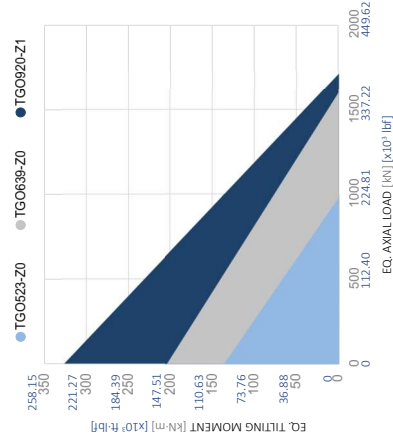
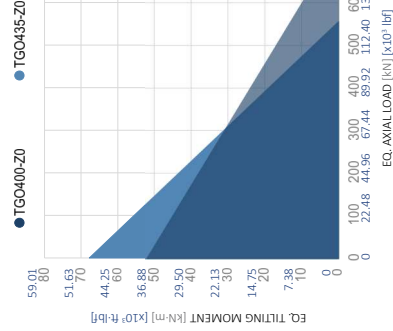


TGO639-Z0



TGO920-Z1

## MOMENT LOADING CHARTS



## RATINGS

	TGO400-Z0	TGO435-Z0	TGO523-Z0	TGO639-Z0	TGO920-Z1	
Min. input torque	2-10 1.48 - 7.38	2-10 1.48 - 7.38	2-10 1.48 - 7.38	2-10 1.48 - 7.38	2-10 1.48 - 7.38	
	78.1	85.1	102.1	125.1	180.1	
Gear ratio	40 %	40 %	40 %	40 %	40 %	
	10.50	12.31	18.03	30.50	4.20	
Max. torque	x10 <sup>3</sup> ft.lbf	7.75	9.08	22.50	3.10	
	kNm	7.50	10.20	15.10	23.50	3.58
Nominal torque	x10 <sup>3</sup> ft.lbf	5.53	7.52	11.14	17.33	2.64
	kNm	37.00	43.20	65.10	95.20	5.05
Holding torque	x10 <sup>3</sup> ft.lbf	27.29	31.86	48.02	70.22	3.72
	kNm	52.00	67.80	135.60	203.40	326.00
Tilting moment	x10 <sup>3</sup> ft.lbf	38.35	50.01	100.01	150.02	240.45
	kN	276.00	391.00	640.00	977.00	1710.00
Radial static load	x10 <sup>3</sup> lbf	62.05	49.91	87.90	143.88	49.91
	kN	740.00	555.00	977.00	1598.00	1710.00
Axial static load	x10 <sup>3</sup> lbf	166.35	124.77	219.64	359.24	384.42
	kN	1	1	1	1	1
Max. output speed	rpm	1	1	1	1	1
	kg	47.34	49.17	78.63	106.69	103.62
Weight	lbs	104.37	104.37	173.35	235.20	228.44
	Paint	RAL9005	RAL9005	RAL9005	RAL9005	RAL9005