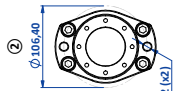
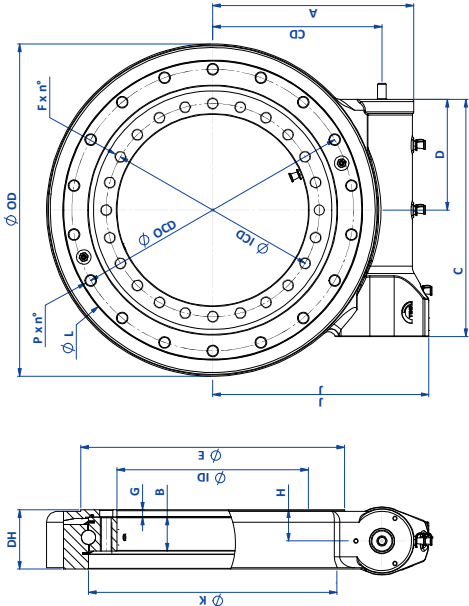
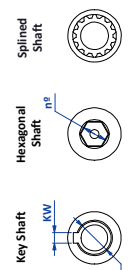


FLANGE TYPES



SHAFT TYPES



DIMENSIONS

	GE236-Z0	GE314-Z0	GE435-Z0	GE523-Z0	LGE236-Z0	LGE314-Z0	LGE435-Z0
Ø OD	268	342	460	550	268	342	460
Ø ID	92	145	265	324	92	145	265
Ø OCD	196	270	390	479	196	270	390
P x n"	M12- \downarrow 25 mm x 12	M16- \downarrow 35 mm x 16	M16- \downarrow 35 mm x 18	M12- \downarrow 25 mm x 12	M12- \downarrow 25 mm x 12	M16- \downarrow 35 mm x 16	M16- \downarrow 35 mm x 18
Ø ICD	114	175	295	365	114	175	295
F x n"	Ø14 mm x (12)	M16 x (16-1)	M16 x (20-1)	Ø14 mm x (12)	Ø14 mm x (12)	M16 x (16-1)	M16 x (24-1)
DH	82	82	82	82	82	82	82
CD	135	173,75	234,29	279,50	135	173,75	234,29
A	179	217,75	278,29	323,50	179	217,75	278,29
B	47	185	47	185	47	185	47
C	318	12,52	318	12,52	318	12,52	318
D	138	5,43	138	5,43	138	5,43	138
Ø E	175	6,89	250	9,84	175	6,89	250
G	10	0,39	10	0,39	10	0,39	10
H	43	1,69	43	1,69	43	1,69	43
Ø K	158	6,22	225	8,86	158	6,22	225
Ø L	217	8,54	294	11,57	217	8,54	294

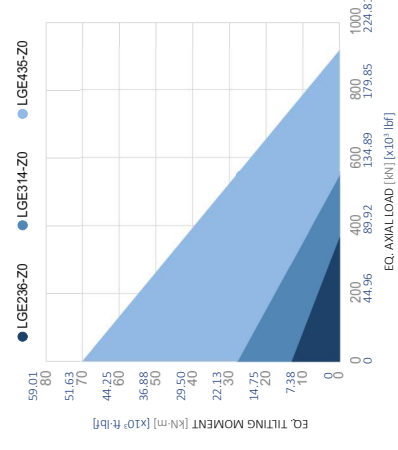
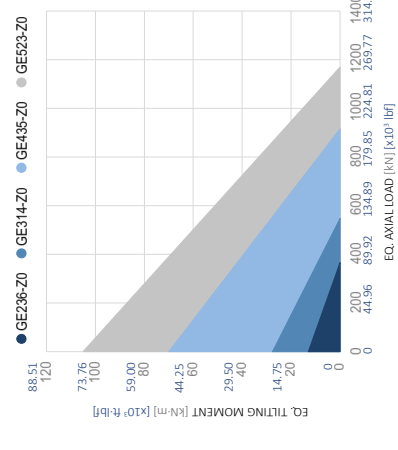
FLANGES and SHAFTS

	GE236-Z0	GE314-Z0	GE435-Z0	GE523-Z0	LGE236-Z0	LGE314-Z0	LGE435-Z0
KW	8	0,31	8	0,31	8	0,31	8
Ø SD	25	0,98	25	0,98	25	0,98	25
Input	Flange ② Key Shaft See Drawing	Flange ② Key Shaft See Drawing	Flange ② Key Shaft See Drawing	Flange ② Key Shaft See Drawing	Flange ② Key Shaft See Drawing	Flange ② Key Shaft See Drawing	Flange ② Key Shaft See Drawing
Output	Hex. 19 mm Shaft	Hex. 19 mm Shaft	Hex. 19 mm Shaft	Hex. 19 mm Shaft	Hex. 19 mm Shaft	Hex. 19 mm Shaft	Hex. 19 mm Shaft

SIZES



MOMENT LOADING CHARTS



RATINGS

	GE236-Z0	GE314-Z0	GE435-Z0	GE523-Z0	LGE236-Z0	LGE314-Z0	LGE435-Z0	UL435-Z0
Min. input torque	Nm	2-10	2-10	2-10	2-10	2-10	2-10	2-10
	lbf·ft	1,48-7,38	1,48-7,38	1,48-7,38	1,48-7,38	1,48-7,38	1,48-7,38	1,48-7,38
Gear ratio		46:1	61:1	85:1	103:1	61:1	85:1	85:1
		40%	40%	50%	40%	40%	40%	40%
Max. torque	kNm	3,28	9,10	12,60	15,30	3,28	9,10	12,60
	x10 ³ lbf·ft	2,42	6,71	9,29	11,28	2,42	6,71	9,29
Nominal torque	kNm	2,52	4,48	6,25	7,57	2,52	4,48	6,25
	x10 ³ lbf·ft	1,86	3,30	4,61	5,58	1,86	3,30	4,61
Holding torque	kNm	-	-	15,00	18,30	-	-	15,00
	x10 ³ lbf·ft	-	-	11,06	13,50	-	-	11,06
Tilting moment	kNm	13,00	27,50	70,00	105,00	13,00	27,50	70,00
	x10 ³ lbf·ft	9,59	20,28	51,63	77,44	9,59	20,28	51,63
Radial static load	kN	156,00	204,00	341,00	413,00	156,00	204,00	341,00
	x10 ³ lbf	35,07	45,86	76,66	92,85	35,07	45,86	76,66
Axial static load	kN	366,00	547,00	916,00	1170,00	366,00	547,00	916,00
	x10 ³ lbf	82,28	122,97	205,93	263,03	82,28	122,97	205,93
Max. output speed	rpm	1	-	2	1,75	1	-	1
	kg	29,80	40,60	55,24	73,68	29,80	40,60	55,24
Weight	kg	65,70	89,50	121,78	162,44	65,70	89,50	121,78
	lbs	145,00	197,00	269,00	359,00	145,00	197,00	269,00
Paint		RAL9005	RAL9005	RAL9005	RAL9005	RAL9005	RAL9005	RAL9005